



Rammy Product catalog 2023 -

Rammy Product catalog 6/2023 -

Content

- Sales, service, delivery
- Products
 - Brush cutter 120 ATV PRO
 - Lawn mower 120 ATV PRO
 - Flail mower 120 ATV
 - Snowblower 120/140 ATV
 - Snowblower 120/140 ATV PRO
 - Snowblower 155 UTV & 155 UTV PRO
 - Optional accessories
- Mounting on ATV
- Factory
- Product development (R&D)
- Rammy Oy (Ltd)

Valid 01.06.2023

We reserve the rights to make changes ©



www.rammy.fi



Rammy ATV accessories



@RammyATVaccessories



@rammy_atv_accessories



rammy.atv.accessories



RAMMY ATV & UTV accessories

Rammy is a Finnish manufacturer of front-mounted ATV accessories. As a pioneer, we have passionately developed and tested our products to be the best in the world. Quality and functionality are top notch!

Why Rammy



Compact structure and work efficient machine. The ATV will remain manoeuvrable with Rammy attached to the front.



Secure deliveries around the world. Every delivery has reached its destination.



Spare parts deliveries to all countries.



Suitable for 4x4 ATV-s of any brand, with a Multifix connector



Summer



Rammy Flail mower 120 ATV is an agile mower for cutting hay, meadow grass and small trees.



Rammy Brush cutter 120 ATV PRO is an agile and powerful clearing saw for ATVs.



Rammy Lawn mower 120 ATV PRO is an agile and powerful lawn mower for ATVs.

Winter



Rammy Snowblower 120 ATV EC is an agile and efficient snowblower for your ATV.



Rammy Snowblower 140 ATV EC is an agile and efficient snowblower for your ATV, ATV with tracks or small UTV.



Rammy Snowblower 155 UTV EC is a 155 cm wide snowblower with a 306 cm³ engine.



Rammy Snowblower 120 ATV PRO is a 120cm wide snowblower from the PROFESSIONAL SERIES with bigger engine 420 cm³.



Rammy Snowblower 140 ATV PRO is a 140 cm wide snowblower from the PROFESSIONAL SERIES with bigger 420 cm³ engine.



Rammy Snowblower 155 UTV PRO is a 155 cm wide snowblower from the PROFESSIONAL SERIES with bigger 420 cm³ engine.



Sales

RAMMY products are sold through authorized dealers who are on display:

<https://rammy.fi/en/rammy-dealers/>

Delivery terms: <https://rammy.fi/en/deliveryterms/>



Rammy is ready for use. Engine has oil in ready. ATV or UTV needs a winch and center mounting kit.

Service

RAMMY product deliveries include a user manual and spare parts catalogue, as well as maintenance instructions.

Authorized dealers handle spare parts sales, maintenance and warranty repairs for RAMMY products. As a guarantor, we will replace the parts and reasonably cover the costs of the work.

Always contact Briggs & Stratton directly for service. We do not take care of the engine warranty. Briggs & Stratton always takes care of the engine: [Briggs&Stratton](https://briggsstratton.com)

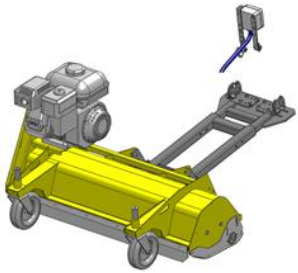
Delivery

The products are freighted according to a contract of carriage made between RAMMY Oy and DBSCHENKER. Rammy products are delivered on a EUR-pallet, the dimensions of which are 80x120x100cm. The total weight of the delivery package is 150 - 175 kg.

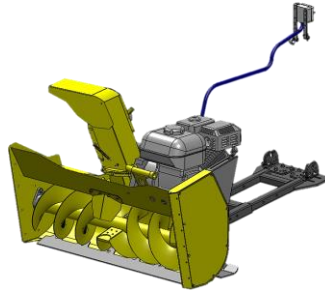
When RAMMY Oy arranges the freight, the buyer pays the shipping directly to RAMMY Oy. The final price is based on the actual delivery address.



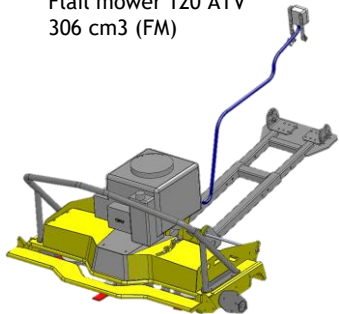
Rammy-products



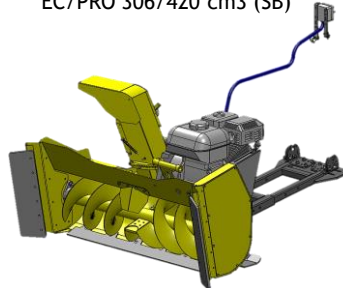
Flail mower 120 ATV
306 cm³ (FM)



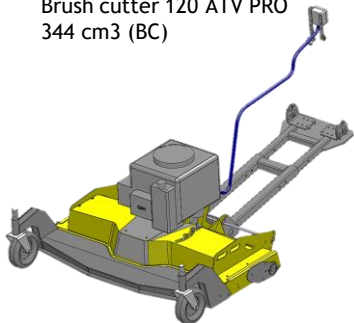
Snowblower 120 ATV
EC/PRO 306/420 cm³ (SB)



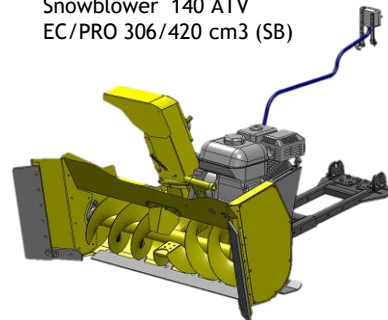
Brush cutter 120 ATV PRO
344 cm³ (BC)



Snowblower 140 ATV
EC/PRO 306/420 cm³ (SB)

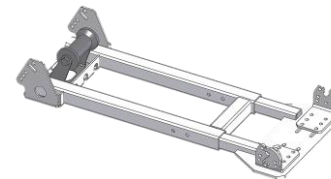


Lawn mower 120 ATV PRO
344 cm³ (LM)

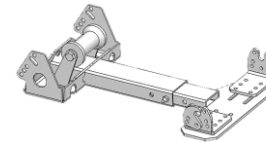


Snowblower 155 UTV
EC/PRO 306/420 cm³ (SB)

Adjustable accessory frame

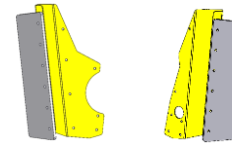


For center mounting
(SB/FM/BC/LM)

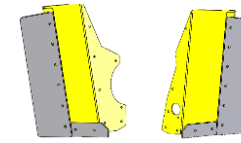


For front mounting (SB/FM)

Snowblower wings (SB)

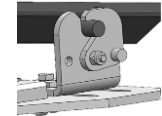


140 cm



155 cm

Optional accessory



Lock hooks 16-19-20 mm



Side shift kit FM



Hammer blades FM



Cover (SB/FM/BC)



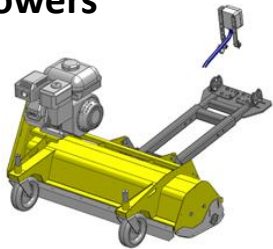
Pulley for rope



Pulley for strap

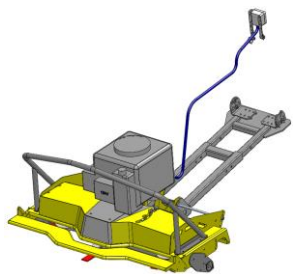
Product package

Mowers



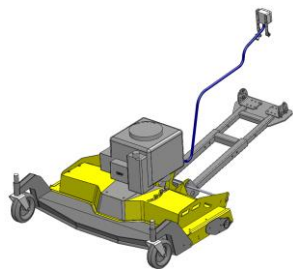
Standard equipments in pic

	Flail mower 120 ATV	Code	Quantity
	Flail mower 120 ATV	74130464	1
	Hammer blades	74130507	22 / set
	Side shift kit (moves FM 37cm to the left)	74130717	1
	Lock hooks Ø16/19-20mm	74130298	1 pair



Standard equipments in pic

	Brush cutter 120 ATV PRO	Code	Quantity
	Brush cutter 120 ATV PRO	74130837	1
	Side shift kit, Included as standard	74131183	1
	Lock hooks Ø16/19-20mm	74130298	1 pair
	Lawn mower - kit	74131290	1

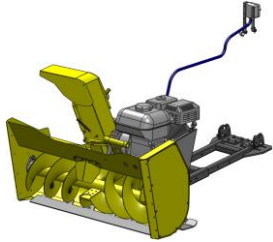


Standard equipments in pic

	Lawn mower 120 ATV PRO	Code	Quantity
	Lawn mower 120 ATV PRO	74131182	1
	Side shift kit, included as standard	74131183	1
	Lock hooks Ø16/19-20mm	74130298	1 pair
	Brush cutter - kit	74131291	1

Product package

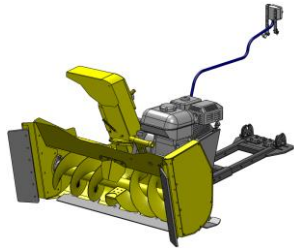
Snowblower EC (306 cm³)



Standard equipments in pic

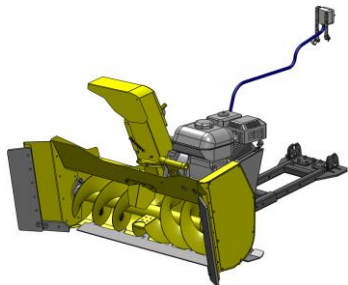
See optional accessories on page 9.

	Snowblower 120 ATV EC	Code
	306 cm ³ engine. Electric start (230V), electric control.	74131062



Standard equipments in pic

120 ATV + wings = 140 ATV	Snowblower 140 ATV EC	Code
	306 cm ³ engine. Electric start (230V), electric control. Including 140 cm wings.	74131173

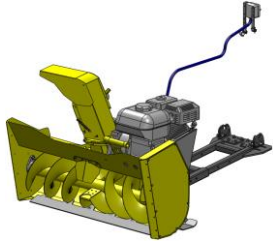


Standard equipments in pic

120 ATV + wings = 155 UTV	Snowblower 155 UTV EC	Code
	306 cm ³ engine. Electric start (230V), electric control. Including 155 cm wings.	74131284

Product package

Snowblower PRO (420 cm³)



Standard equipments in pic

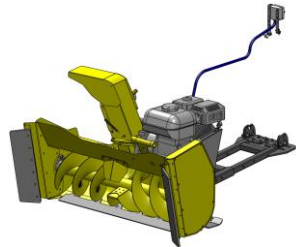


PROFESSIONAL SERIES



See optional accessories on page 9.

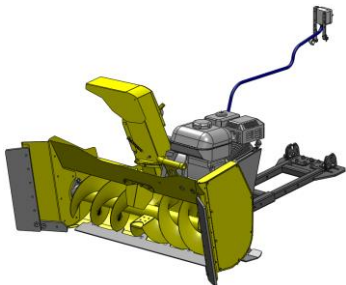
	Snowblower 120 ATV PRO	Code
	420 cm ³ engine. Electric start (230V), electric control.	74131176



Standard equipments in pic



120 ATV + wings = 140 ATV	Snowblower 140 ATV PRO	Code
	420 cm ³ engine. Electric start (230V), electric control. Including 140 cm wings.	74131189



Standard equipments in pic



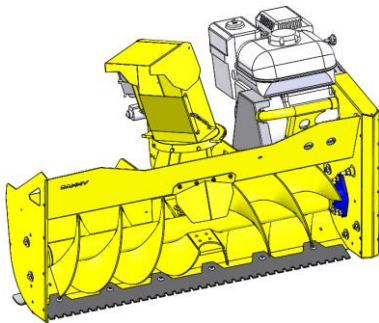
120 ATV + wings = 155 UTV	Snowblower 155 UTV PRO	Code
	420 cm ³ engine. Electric start (230V), electric control. Including 155 cm wings.	74131286



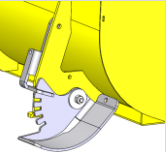
Optional accessories for Snowblowers



New! Quick-adjustable skis made of wear-resistant steel.



New! Serrated blade plate, made of wear-resistant steel.

	Snowblower 120/140/155 EC/PRO ATV/UTV	
	Optional accessories	Code
	Lock hooks Ø16/19-20mm (Fits example on Can-Am Promount center mounting kit)	74130298
	140 cm width, only wings + rubbers, pair	74131165
	155 cm width, only wings + rubbers, pair	74131285
	Quick-adjust skis, wear- resistant steel, pair	74131374
	Gliding plastic for skis, pair	74131360
	Serrated blade plate, wear-resistant steel	74131359







Prices VAT 0%



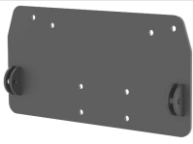





Optional accessories

	Name	Code	Quantity
	Cover Snowblower 120 Flail mower 120 Brush cutter 120	74131264	1
	Pulley for strap 2 x lift	74131281	1
	Pulley for rope 2 x lift	74131282	1
	Lock hooks, pair Ø16/19-20mm	74130298	1 pair
	Rammy - winter hat	74131308	1

Center mounting kits examples, ask for more models.

	Code	Name	Fits	Fits	Fits
	03-4000	Center mounting kit Super universal Ø10 mm pins	Super universal	Fits for most ATV's with tubular type of chassis/frame. Example Honda, Suzuki, Yamaha, Linhai.	Make sure the suitability of ATV.
	03-11300	Center mounting kit CF MOTO Ø10 mm pins	CFORCE 600 (2020+) CFORCE 600 Touring (2020+) CFORCE 625 CFORCE 625 Touring		
	03-11500	Center mounting kit Polaris Ø10 mm pins	Scrambler XP 1000 S Sportsman 1000 S		
	03-5000	Center mounting kit Polaris Ø10 mm pins	Polaris Sportsman 450/570/ETX / 570 SP		
	03-3500	Center mounting kit CanAm G2 Ø10 mm pins	Outlander 6x6 (2013-2016) Outlander 6x6 (2019+) Outlander 6x6 MAX (2017-2018) Outlander 6x6 MAX (2019+) Outlander G2 (-2016) Outlander G2 450/570 (2017+) Outlander G2 450/570 MAX (2017+) Outlander G2 650/850/1000 (2017-2018) Outlander G2 650/850/1000 (2019+)	Outlander G2 L MAX Outlander G2 MAX (-2016) Outlander X MR 1000 (-2016) Outlander X MR 1000 (2017-2018) Outlander G2 650/850/1000 MAX (2017-2018) Outlander G2 650/850/1000 MAX (2019+) Outlander G2 L	Outlander X MR 1000 (2019+) Outlander X MR 650/800/850 (-2016) Outlander X MR 650/850 (2017-2018) Outlander X MR 650/850 (2019+) Renegade G2 (-2016) Renegade G2 (2017-2018) Renegade G2 (2019+) Renegade X MR (-2016) Renegade X MR (2017-2018) Renegade X MR (2019+)
	03-5400	Center mounting kit Polaris Ø10 mm pins	Polaris 570 Touring X2 6x6 Big Boss		

Center mounting kits examples, ask for more models.

	Code	Name	Fits	Fits	Fits
	03-1700	Center mounting kit Polaris Ø10 mm pins	Scrambler 850/1000 (-2014) Scrambler 850/1000 (2015+) Sportsman 1000 (-2016) Sportsman 1000 (2017+) Sportsman 550 Sportsman 850 (-2014) Sportsman 850 (2015+)	Sportsman Touring 550 Sportsman Touring 850 (-2014) Sportsman Touring 850 (2015+) Sportsman Touring XP 1000 (-2017) Sportsman Touring XP 1000 (2018+)	
	03-9400	Center mounting kit Kymco Ø10 mm pins	MXU 700 (-2019) MXU 700 (2020+)		
	03-8500	Center mounting kit CF MOTO Ø10 mm pins	CFORCE 1000 CFORCE 850		
	03-12500	Center mounting kit Segway Ø10 mm pins	Snarler AT6 L AT6 S		
	03-5100	Center mounting kit Polaris Ø10 mm pins	Ranger 570 (-2014) Ranger 570 (2015+)		
	03-6600	Center mounting kit CF Moto Ø10 mm pins	CFORCE 450/520-L CFORCE 450/520-S CFORCE 550 CFORCE 600 Cobalt / Iron Cobalt / Iron MAX		

Snowblowers



Rammy Snowblower 120 ATV/UTV EC/PRO

Rammy Snowblower 120 /140 /155
ATV/UTV EC/PRO B&S winter engine
306cm³ / 420cm³.

Rammy snowblowers are suitable for small gardens and long driveways. Rammy is lightweight and compact, so your ATV/UTV manoeuvrability and off-road performance will remain good. The snowblower also works in wet snow. The snowblower has its own engine.

With the adjustable frame, snowblower is suitable for almost all 4x4 ATV/UTV-s. If the [CENTER MOUNTING KIT](#) is on the bottom of your ATV, Rammy can be used with existing fasteners.

The snowblower can also be attached with a [LOCK HOOKS 16-19-20 mm.](#) (optional). Example on Can-Am Promount, Kimpex Click&Go.

Features



Powerful and compact

Rammy snowblower is lightweight and compact. The snowblower is agile and efficient. Snowblower is lifted with the ATV's winch, making it easy to use even in a small garden.



Dual snow auger

The snowblower has a dual snow auger, which makes the snowblower short. The snow auger has a rubber sheet fuse, which minimises damage in collisions with rocks or hard objects.



Quick connection with pins

Rammy is attached to the base of the ATV with two locking pins, using a centre mounting kit. The attachment is the same as in the snow plow (mid mounting kit).



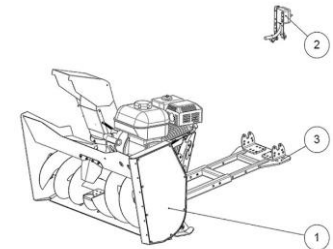
Also works in wet snow

The unique MDS technology enables to have great functionality also in wet snow. The snowblower has a Briggs&Stratton 306 cm³ (EC) or 420 cm³ (PRO) winter engine.



Electric remote control

The snowblower has a remote control with the following selections: rotation and angle of the discharge chute, engine on/off.



Ready-to-use package

The Rammy snowblower comes in a ready-to-use package. **1** snowblower, **2** remote control, **3** adjustable accessory frame.

VIDEO: <https://youtu.be/7nO5gIjK1-A>

VIDEO: https://youtu.be/mAFkVje7_SQ

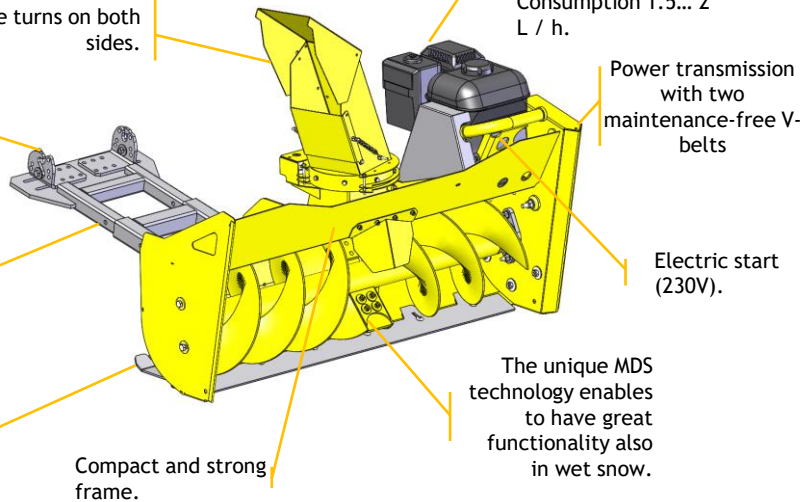
SNOWBLOWER

Multifix mounting:
Standard mounting
Ø 10 mm pins.
Fixing the
Ø16/19/20mm pin
lock hooks
(optional).

The adjustable
accessory frame
is adjusted by the
length of 750-
1250 mm and
width of 240-500
mm.

Height adjustment
in skis.

Chute turns on both
sides.



Compact and strong
frame.

The unique MDS
technology enables
to have great
functionality also
in wet snow.

PROFESSIONAL SERIES

EC-models	Briggs&Stratton 1450 SnowSeries
Size	306 cm ³
Torque	20 Nm
Fuel tank	3,0 L
Start	Pull / electric (230V)

PRO-models	Briggs&Stratton 2100 SnowSeries
Size	420 cm ³
Torque	28,5 Nm
Fuel tank	3,0 L
Start	Pull / electric (230V)



Clearing width	1,18 m - 1,40 m - 1,55 m
Length	0,5 m - 0,6 m - 0,7 m
Weight	Snowblower 100 kg (EC 120 cm) - 130 kg (PRO 155 cm). Adjustable accessory frame 25 kg
Height of loading chute	550 mm
Snow throwing distance	1-10 m
Method of moving / throwing snow	Single-stage double-threaded blower. The impeller uses the MDS (Minimum Distance Space) technique, which provides maximum throwing power. Throwing plate is rigid and flexible rubber that dodge the rocks and other hard objects.
Engine	Briggs&Stratton Snow Series 1450 (EC) 306 cm ³ , 20Nm - 2100 (PRO) 420 cm ³ , 28 Nm winter engine. B&S does not inform official horsepower.
Start	Easy pull start and electric start 230 V
Fuel consumption	1...2 L/h
Attachment to ATV	Mount brackets with holes on snow blade on ATV, hole Ø10mm adjustable width of mount bracket 240-500mm (outer dimension) and the adjustable length is 750-1250mm.
Lift/decline	Winch of the ATV/UTV.
Remote control	Electrical, 3-functio - ON-OFF (kill switch) - Turning of the chute - Control of angle of the chute end
Standard equipment	- Adjustable accessory frame - Adjustable skis - Remote control - Replaceable scraper blade - Ice removal tool
Capacity	750 - 1000 cubic meters / hour = 5km/h - 14 - 19 cm of snow at full width.
Warranty	2 years

140 ATV

VIDEO: <https://youtu.be/diJeRWn3Kmc>



In pic Snowblower 140 ATV EC & Honda TRX500 2018 with standard suspension.

155 UTV

VIDEO: <https://www.youtube.com/watch?v=sCwLlyqLvE>

VIDEO: <https://www.youtube.com/watch?v=7IAi2KZANo>



In pic Snowblower 155 UTV PRO & Polaris Ranger 570 2021 with standard suspension.

Mowers



Front-mounted and agile mower for ATV!

The Rammy Flail mower 120 ATV is an agile mower for cutting hay, meadow grass and small trees. With Rammy's front cutter you can cut grass on lawns, meadows and roadsides, efficiently and effortlessly. The Flail mower has its own engine.

It is possible to move the cutter 37 cm to the left, if it is fitted with a [SIDE SHIFT KIT](#) (optional).

With the adjustable frame, flail mower is suitable for almost all 4x4 ATV/UTV-s. If the [CENTER MOUNTING KIT](#) is on the bottom of your ATV, Rammy can be used with existing fasteners.

The mower can also be attached with a [LOCK HOOKS 16-19-20 mm.](#) (optional). Example on Can-Am Promount, Kimpex Click&Go.

Features



Front-mount flail mower

The Rammy is positioned in front of the ATV, so visibility and manoeuvrability are excellent. Cutting height adjustment: 2-10 cm with the front wheels and the back roller. Even higher with a winch.



Lightweight and compact

Rammy is lifted with the ATV's winch. The flail mower is attached to the ATV with two locking pins, to the center mounting kit, like the snow plow (mid mounting kit).



Briggs&Stratton engine

B&S 306 cm³ engine and the maintenance-free double belt transmission make the flail mower an efficient and reliable machine.



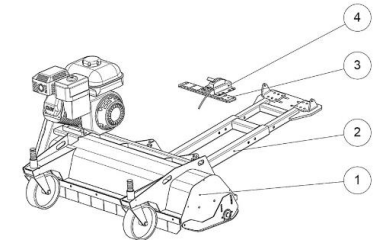
You can choose suitable blades

Y-blades for rough use included in the standard flail mower delivery. Available accessories (pictured): hammer blades for a fine cutting result.



More possibilities with the side shift kit

If the mower is fitted with a sideshift kit (optional), the cutter can be moved 37 cm to the left during operation.



Ready-to-use package

The flail mower comes in a ready-to-use package. 1 flail mower, 2 adjustable accessory frame, 3 mounting plate, 4 remote control. Every unit has been test-driven and inspected.

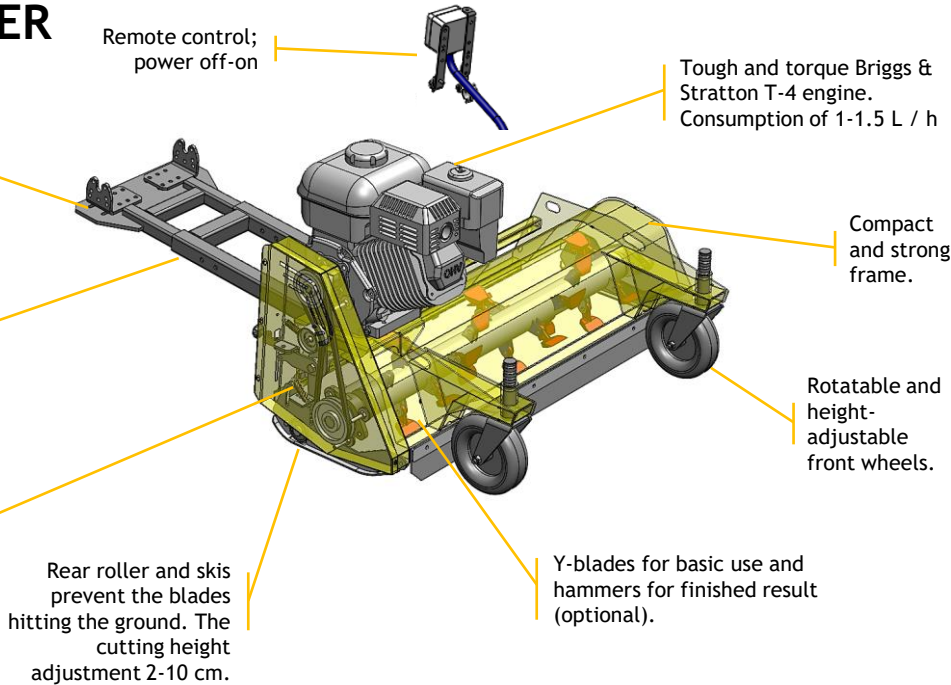
VIDEO: <https://youtu.be/qUI4TZR2dls>

FLAIL MOWER

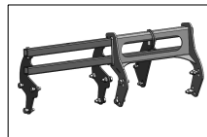
Multifix mounting:
Standard mounting
Ø 10 mm pins.
Fixing the
Ø16/19/20mm pin
lock hooks
(optional).

The adjustable
accessory frame is
adjusted by the
length of 750-1250
mm and width of
240-500 mm.

Power
transmission with
two maintenance-
free V-belts



Optional accessories

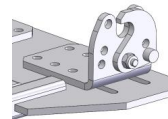


Side shift kit
Mower can be moved
37 cm to the left.
Great near fences,
roadside etc.

Y-blades As standard
Hammer blades (optional)



Lock hook mounting
Example for Can-Am
Promount, Kimpex
Click&Go Ø16/19-20
mm.



Measures	Width 120 cm Length 79 cm
Cutting width	100 cm
Weight	Mower 95 kg Accessory frame 25 kg.
Engine	Briggs&Stratton 1450. 306 cm3. Power 9 hp
Transmission	Two belts. Neutral position switch.
Blades	Y-blades as standard for general use. Optional hammer blades for finished cut. The blades give way to rocks, trees, etc. The drum speed 3000 r / min.
Cutting height	20 - 100 mm adjustable front wheels & back roller. Greater height adjustable winch.
Attachment to ATV	The adjustable accessory frame mounted on center mounting kit on ATVs frame with two pins.
Lift / decline	ATV winch
Package contents	Mower, adjustable frame, remote-control, owner and spare parts manual.
Shipping package	EUR-pallet 80 x 120 x 100 cm. Weight 120 kg.
Warranty	2 years

Agile and powerful clearing saw for ATV!

Rammy Brush cutter 120 ATV PRO is an agile and powerful brush cutter / clearing saw for ATVs. It cuts grass, hay, willow bushes and even trees up to width of 10 cm (4 inch)! Thanks to it's protective roll, clearing saw can be driven against the ground. Roll keeps blades in safety from unwanted obstacles.

With lawn mower - kit (74131290), Brush cutter can be transformed into Lawn mower 120 ATV PRO.

It is possible to move the brush cutter 32cm left or right, if it is fitted with side shift kit (included in standard package).

With the adjustable frame, Brush cutter is suitable for almost all 4x4 ATV/UTV-s. If the [CENTER MOUNTING KIT](#) is on the bottom of your ATV, Rammy can be used with existing fasteners.

The cutter can also be attached with a [LOCK HOOKS 16-19-20 mm.](#) (optional). Example on Can-Am Promount, Kimpex Click&Go.

Features



Front mounted cutter

Rammy is positioned in front of the ATV, so visibility and manoeuvrability are excellent. Cutting height adjustable from 2 to 7 cm with lower roller. With the winch 7-30 cm.



Lightweight and compact

Rammy is lifted with the ATV's winch and is attached to the ATV with two locking pins, to the centre mounting kit, like the snow blade (center mounting kit, behind the front axle underneath the ATV).



Briggs&Stratton engine

B&S 344 cm3 engine and the maintenance-free transmission make the cutter an efficient and reliable machine.



Blades for multiple use

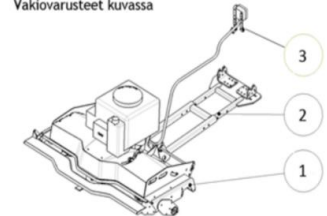
6 pieces of blades, rotating horizontally 4000 r/min. Hinged to fold, reduces wear and damage if hitting on small obstacles.



More possibilities with the sideshift kit

Cutter is fitted with a sideshift kit (included), the cutter can be moved 32 cm to left or right.

Vakiovarusteet kuvassa



Ready-to-use package

1. cutter with blades, 2. adjustable accessory frame, 3. remote control. Every unit has been test-driven and inspected. Engine has oil ready in.

PROFESSIONAL SERIES

BRUSH CUTTER

Tough and powerful Briggs&Stratton 4-stroke motor 344 cm3. Consumption approx. 1,5-2 L/h.

Compact and sturdy frame.

Power transmission with maintenance-free V-belts.

Swivel front guard.

Remote control: power switch.

Multifix mounting: Standard mounting Ø 10 mm pins. Fixing the Ø16/19/20mm pin lock hooks (optional).

The adjustable accessory frame is adjusted by the length of 750-1250 mm and width of 240-500 mm.

Transmission clutch lever

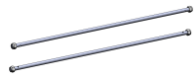
The blades are hinged to the shaft.

The roller prevents the blades from hitting the ground. Cutting height adjustment 2-7cm.

As standard

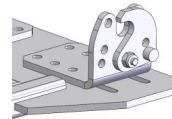


Side shift kit: cutter can be moved 32cm to left or right. Included as standard.



Optional accessories

Lock hook mounting
Example for Can-Am Promount, Kimpex Click&Go Ø16/19-20 mm.



Width	1,2 m. Cutting width 1,15 m.
Length	0,7 m
Weight	Brush cutter 90 kg Adjustable accessory frame 25 kg
Cutting/working principle	6 pieces of blades, rotating horizontally 4000 r/min. Hinged to fold, reduces wear and damage if hitting on small obstacles.
Cutting height	Adjustable from 2 to 7 cm with lower roller. On the winch 7-30 cm (depends on the front suspension and ground clearance of the ATV)
Engine	Briggs&Stratton Series 3 Intek 344 cm3. Torque 25 Nm. Fultank 2,7 L.
Start	Easy pull start.
Fuel consumption	1,5...2 L/h
Attachment on ATV	The adjustable accessory frame mounted on center mounting kit on ATVs frame with two pins.
Lift/decline	Winch of the ATV / UTV
Remote control	On - Off
Standard equipment	<ul style="list-style-type: none"> - Adjustable accessory frame - Adjustable roller - Remote control - Sharp hardened blades - Perimeter protection on front - Protection buffer (pivoting) - Side shift kit
Optional equipment	<ul style="list-style-type: none"> - Lock hooks 16...19-20 mm
Capacity	Hay, tall grass, willows, bushes. Max driving speed approx. 5 km / h.
Warranty	2 years

FRONT-MOUNTED AND AGILE LAWN MOWER FOR AN ATV!

Rammy Lawn mower 120 ATV PRO is an agile and efficient lawn mower for ATVs. It cuts grass and hay. The mower rises up with a winch, so the transitions are quick.

The mower can be turned into a Brush cutter with Brush cutter kit (optional, 74131291).

The mower can be moved 32 cm on both sides when it is equipped with a side shift kit (included in standard package).

With the adjustable frame, Lawn mower is suitable for almost all 4x4 ATV/UTV-s. If the [CENTER MOUNTING KIT](#) is on the bottom of your ATV, Rammy can be used with existing fasteners.

The cutter can also be attached with a [LOCK HOOKS 16-19-20 mm.](#) (optional). Example on Can-Am Promount, Kimpex Click&Go.

PROFESSIONAL SERIES

VIDEO: <https://www.youtube.com/watch?v=e9kuffEa7gQ>

Features



Front-mounted lawn mower
The Rammy is in front of the ATV, so the visibility and handling is great. Cutting height adjustment 2-10 cm with front wheels and rear roller. Even higher with a winch, up to 40 cm.



Blades for many uses
6 horizontally rotating blades 4000 rpm. Hinged to fold when an obstacle comes in, which reduces blade wear and damage. Mow grass and hay.



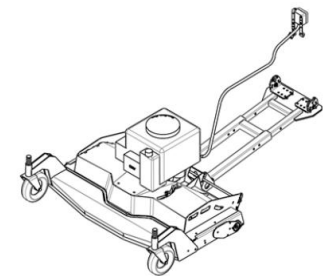
Lightweight and compact
Rammy is lifted with the ATV's winch. Rammy is attached to the ATV with two locking pins, to the centre mounting kit, like the snow plate (center mounting kit, behind the front axle underneath the ATV).



More possibilities with the sideshift kit
Mower is fitted with a sideshift kit (included), the mower can be moved 32 cm left or right.



Briggs&Stratton engine
B&S 344 cm3 engine and the maintenance-free transmission make the mower an efficient and reliable machine.



Ready-to-use package
Mower with blades, adjustable accessory frame, remote control. Every unit has been test-driven and inspected. Engine has oil ready in.

LAWN MOWER

Tough and powerful Briggs&Stratton 4-stroke motor 344 cm3. Consumption approx. 1,5-2 L/h.

Compact and sturdy frame.

Power transmission with maintenance-free V-belts.

Adjustable front wheels 2-10 cm.

The blades are hinged to the shaft.

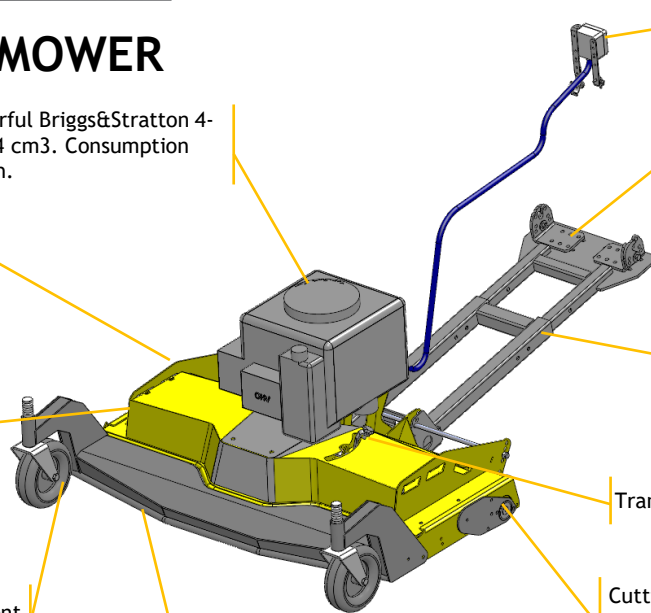
Remote control: power switch

Multifix mounting: Standard mounting Ø 10 mm pins. Fixing the Ø16/19/20mm pin lock hooks (optional).

The adjustable accessory frame is adjusted by the length of 750-1250 mm and width of 240-500 mm.

Transmission clutch lever.

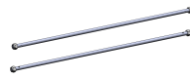
Cutting height adjustment 2-10 cm with rear roller.



As standard

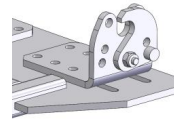


The mower can swing according to the terrain. The rod is in an oval hole. In the picture, the mower is in the up position.



Side shift kit: mower can be moved 32cm to left or right. Included as standard.

Optional accessories

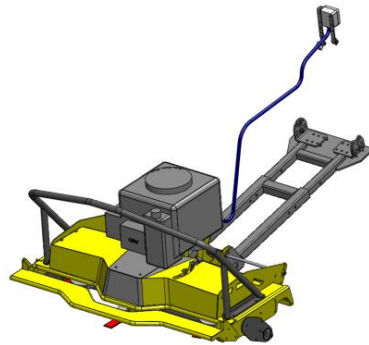


Lock hook mounting
Example for Can-Am Promount, Kimpex Click&Go Ø16/19-20 mm.

Width	1,2 m. Cutting width 1,15 m.
Length	0,9 m
Weight	Mower 90 kg Adjustable accessory frame 25 kg
Cutting / working principle	6 horizontally rotating blades 4000 rpm. Hinged to fold when an obstacle comes in, which reduces blade wear and damage.
Cutting height	Adjustable with lower roller and front wheels 2-10 cm. With winch 10-30 cm (depends on ATVs front suspension and ground clearance).
Engine	Briggs&Stratton Series 3 Intek 344 cm3. Torque 25 Nm. Fuel tank 2,7 L.
Start	Easy pull start
Consumption	1,5...2 L/h
Attachment on ATV	The adjustable accessory frame mounted on center mounting kit on ATVs frame with two pins.
Lift/decline	Winch of ATV
Remote control	On - Off
Standard equipment	<ul style="list-style-type: none"> - Adjustable accessory frame - Adjustable roller - Remote control - Sharp hardened blades - Side shift kit
Optional equipment	<ul style="list-style-type: none"> - Lock hooks 16...19-20 mm
Capacity	Hay, grass. Normal driving speed approx. 5 km / h.
Warranty	2 years

Rammy Brush cutter (BC) 74130837

Cut high grass, hay, willows and trees up to 10 cm.
The cut is rougher than with a lawn mower.

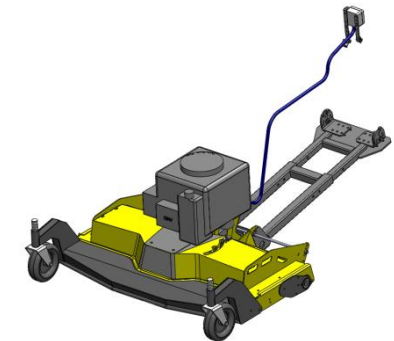
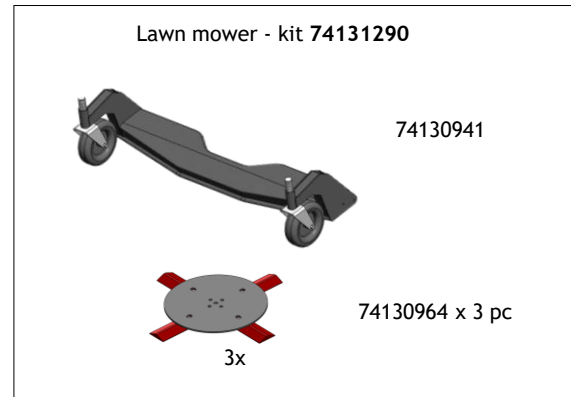


Rammy Brush cutter

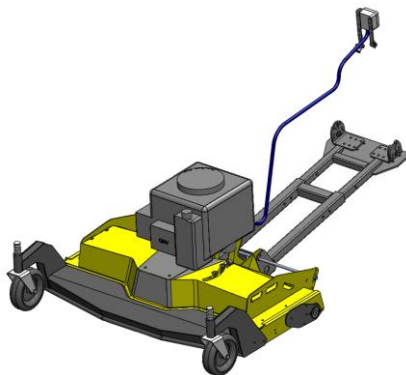
Rammy Lawn Mower (LM) 74131182

Lawn and hay mowing. Cuts evenly and finished. Always includes a side shift kit

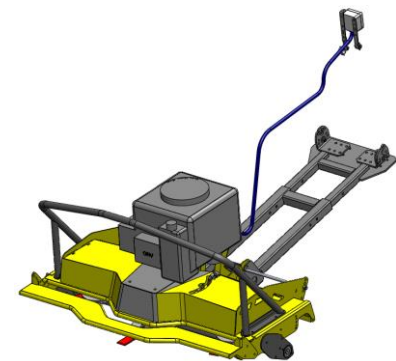
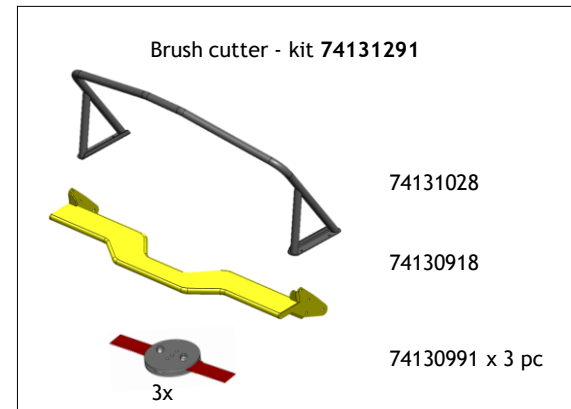
← Same frame, engine and transmission. Front guards and blades are different. One machine, two solutions →



Rammy Lawn Mower

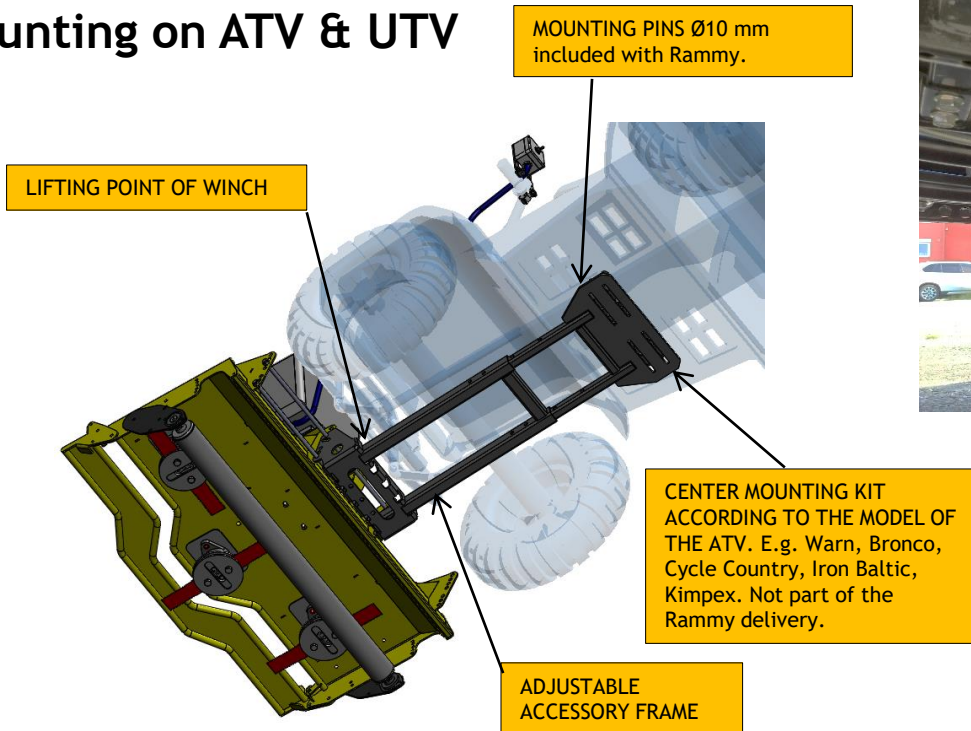


Rammy Lawn Mower

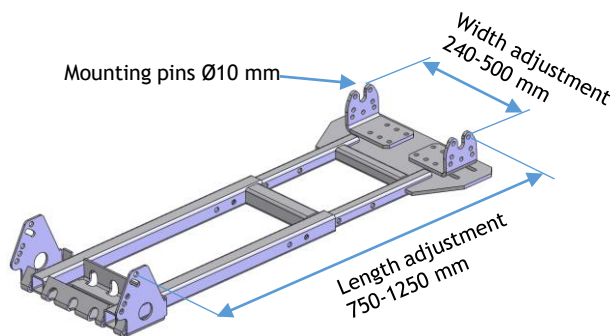


Rammy Brush cutter

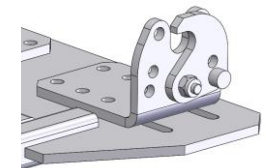
Mounting on ATV & UTV



Rammy products are suitable for all brands of 4x4 ATVs & UTVs. Rammy is placed as close as possible to the front of ATV. The front suspension of the ATV typically swings down by 2-10 cm (depending of the ATV brand, model, model year, etc.) when Rammy is lifted up with a winch. Air pressure is added to the front wheels of the ATV and the front springs are set to the stiffest position, resulting in greater ground clearance. If necessary, you can put e.g. a bag with a counterweight on the rear rack.



Lock hooks Ø16/19/20mm mounting (optional). Example for Can-Am Promount, Kimplex Click&Go, some Bronco models.



ADJUSTABLE ACCESSORY FRAME with front mounting

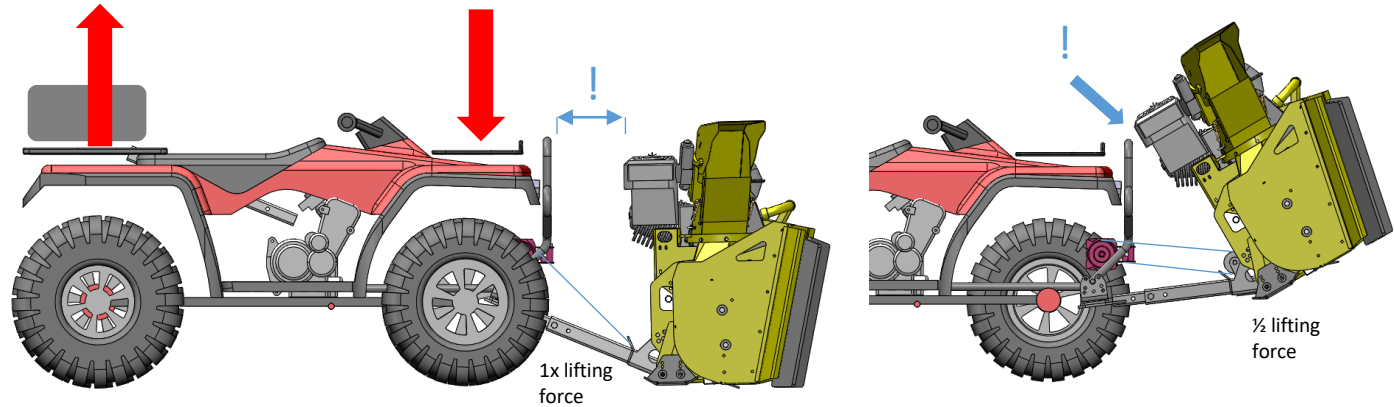


Front mounting is recommended only for UTV.

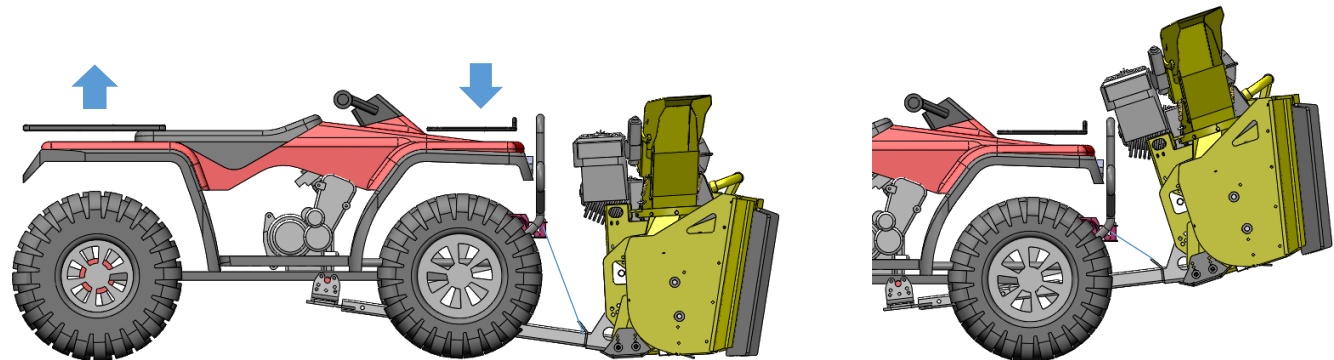
Front mounting on an ATV is not recommended. Using on UTV (side by side) it is more useful and easier due to the larger weight and length of UTV.

The front mount is suitable for Snowblower and Flail mower. To use front mounting, you need adjustable accessory frame 1-pipe (74131234).

Not suitable for Brush cutter or Lawn mower.



Front mounting. Installation is easier. **Disadvantages:** 1. Rammy is further away from the ATV, the use is more clumsy. 2. The engine can hit on the ATV. 3. The weight of the Rammy lightens the stern more, the runnability and grip deteriorate. 4. There is no mechanical topper in the upper position, so the winch must be used with care or a stop must be made on the winch. 5. The lifting force requirement of the winch is approx. 3x higher than with the center mounting. A pulley may be necessary.



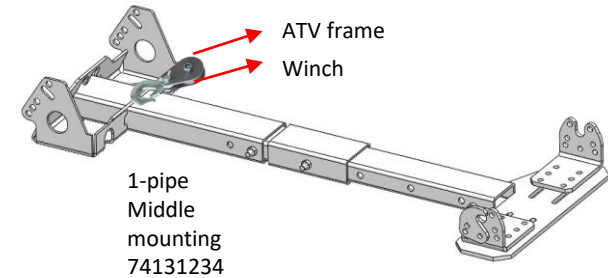
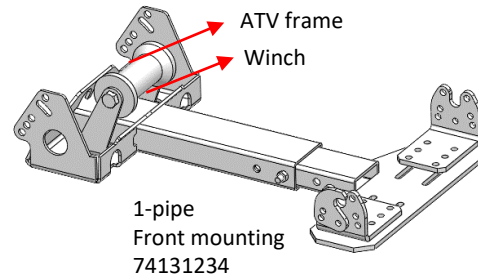
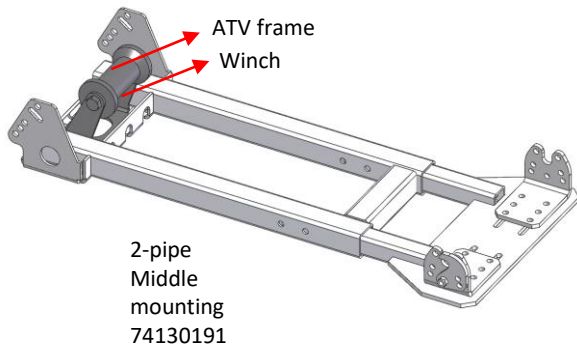
Traditional center mounting. Rammy is closer to the ATV. The weight of the Rammy lightens the stern less. Use is more agile. Rammy can be lifted against a mechanical topper (the adjustable accessory frame hits on ATV's frame). Mounting time is a bit longer than in front mounting.

Adjustable accessory frame and 2x lifting



If the hoist power is insufficient in case of a simple lifting operation or splitting of the hoist speed is required, the auxiliary unit frame can be equipped with a double lift by means of a pulley. There are two different pulleys, for line and for rope. The pulleys are available as optional accessories.

2-pipe frame comes in standard. If you want 1-pipe frame (for front mounting) and need pulleys, let us or the dealer know when ordering.



74131281

Pulley for strap (max. width 90 mm).



74131282

Pulley for rope (max. Ø6 mm).



Factory

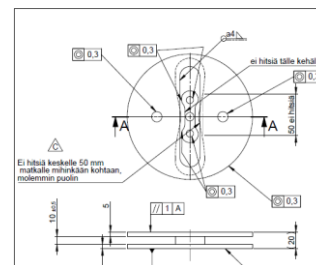
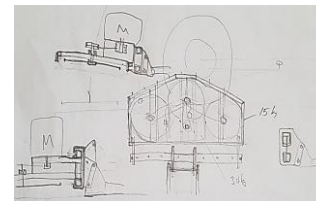
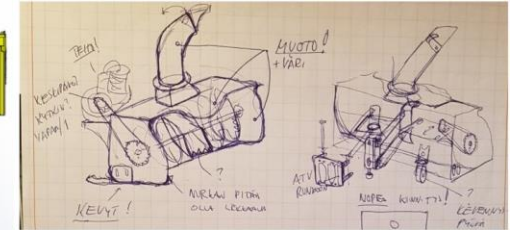
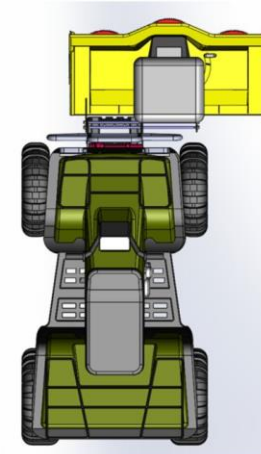
- **Made in Finland.** Some parts, like Briggs & Stratton engines, come across the world. We also have assembly, testing and quality control in the factory.
- We are constantly developing our production and quality so that customers get the best possible product and experience.
- Our factory has a own warehouse where we do our best to keep products ready in stock for fast delivery.
- We invest in the comfort and safety of our employees. Our energy use is kept low. For example, our factory is heated with geothermal energy and lightning is done completely by LEDs.





Product development (R&D)

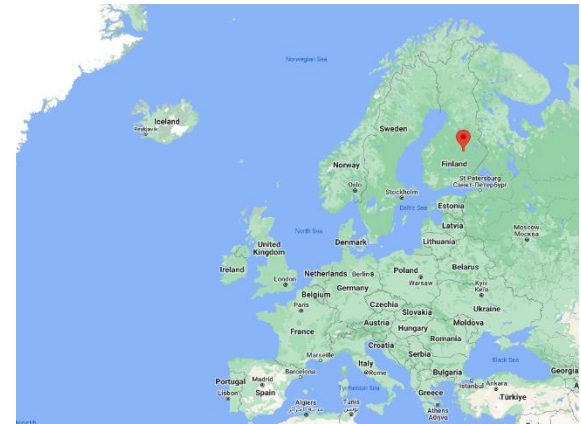
- Here at Rammy, we developed all the products ourselves from the scratch. Main points for Rammy products are quality, practicality, service and customer who gets more done with ATV/UTV.
- Compact design, fuel consumption and maneuverability (**total length of ATV & Rammy + lifting with ATV winch**) are essential parts of Rammy concept.
- We strongly invest in safety and environmental friendliness. Rammy products consume as little fuel as possible, due to the good efficiency and lightness of the structure. **We use engines that meet the latest emission classifications.**
- We receive customer feedback and react to it. The basis of a top product is that product development is carried out with strong professional skills and expertise **without compromise so that the product is the best in the world!**
- If any other product looks like Rammy, it is a copy. A copied product is always worse than the original.





Rammy Oy (Ltd)

- Rammy is a **Finnish family company**, specialised in finding solutions in delightfully new ways. The company develops, manufactures and sells user-friendly ATV accessories.
- The most important aspect for us is a satisfied customer who can benefit a lot from their ATV with Rammy products.
- As a pioneers, we have passionately developed and tested our products to be the best in the world.
- Quality and functionality are top notch! We create something new. We do not copy.



Contact:

rammy@rammy.fi

Tel. +358 10 212 7272

Business id: 2550304-2

Address:

Rammy Oy

Tietäjantie 3

70900 Toivala

FINLAND (EUROPE)



Factory



Product support



R&D



Contact



Dealers